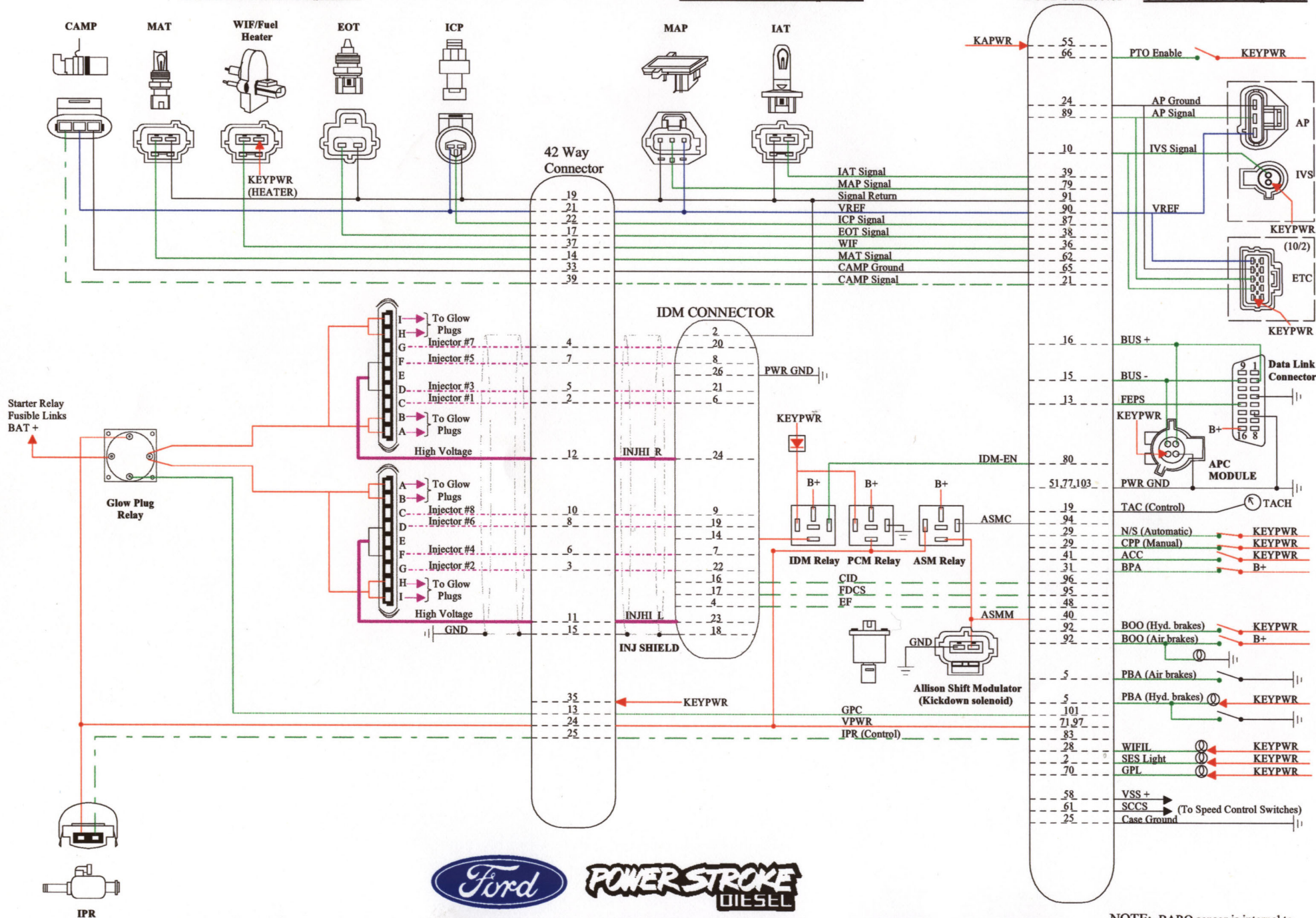


7.3L Powerstroke Diesel Powertrain Control System - 2002 F-650 / 750

Engine Mounted Components

Vehicle Mounted Components

PCM Connector Cab Mounted Components



(Dotted lines = Frequency Functions) (Orientation = looking into harness side of connector)

NOTE: BARO sensor is internal to the EEC module.

RED = 12 VOLTS **BLACK = GROUND CIRCUIT** **GREEN = SIGNAL CIRCUIT** **PURPLE = HIGH VOLTAGE** **BLUE = VREF (5 VOLTS)**